

AVT592

HD CCTV 1080P

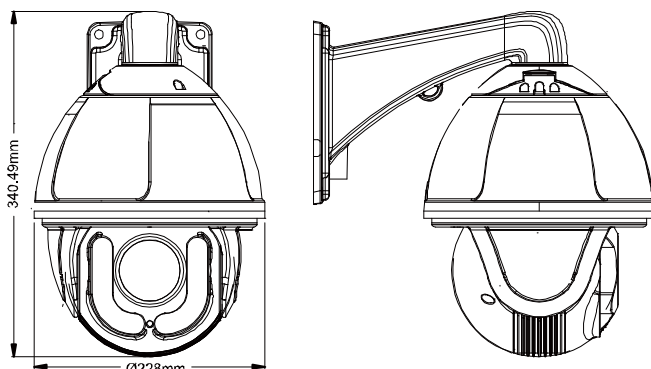
20X IR Speed Dome Camera



● FEATURES

- (1) 1/2.8" CMOS Sensor with 1080P video output
- (2) Zoom lens of f4.7 ~ 94mm with 20x optical zoom and auto focus, suitable for various monitoring environments
- (3) PTZ control for seamless monitoring
 - Capable of 360° pan rotation continuously, allowing quick and smooth action of the camera lens
 - Auto Tracking to follow moving objects
 - Up to 256 preset points & four sequence groups programmable for multiple points monitoring, and auto pan
- (4) External alarm I/O device connection
- (5) WDR to increase image recognizability in overexposure and dark areas
- (6) IP66 for outdoor application
- (7) Camera parameters adjustable when used with AVTECH HD CCTV DVR
- (8) New IR technology adapted to enhance brightness at night as well as the effective distance of up to 150 meters

● DIMENSIONS*



*Dimensional Tolerance: ± 5mm

● SPECIFICATIONS*

■ General		■ General	
Pick-up Element	1/2.8" SONY CMOS image sensor	External alarm I/O	YES (1 input / 1 output)
Number of Pixels	1936(H) × 1096(V)	RS-485	YES
Video Frame Rate	1080P@30fps / 1080P@25fps	IP Rating	IP66
Min. Illumination	0.1 Lux / F1.6(Wide)~F3.5(Tele), 0 Lux (IR LED ON)	Operating Temperature	-20°C ~ 50°C
S/N Ratio	More than 48dB (AGC OFF)	Operating Humidity	90% or less relative humidity
Shutter Speed	1 / 60 (1/50) to 1 / 100,000 sec.	Power Source (±10%)	AC24V / 1.5A; DC19V / 2.1A
Lens	f4.7 ~ 94mm / F1.6 (Wide) ~ 3.5(Tele)	Power Consumption (±10%)	12W (IR OFF); 28W (IR ON)
Lens Angle	1X	■ PTZ Mechanism	
	20X	Pan Range	
IR LED	10 units	360° endless	
IR Effective Distance	Up to 150 meters	Max. Pan Speed	180°/s
IR Shift	YES	Tilt Range	-3° ~ 90°
IRIS Mode	YES	Max. Tilt Speed	100°/s
White Balance	Auto / 2500K / 3200K / 4200K / 5800K / 9500K	Zoom Ratio	20X Optical Zoom
AGC	YES	Max. Zoom Speed	Approx. 3s (Tele ~ Wide)
Sharpness	YES	Preset Points	Up to 256 preset points
WDR	YES (120dB)	Sequence Group	1. Up to four groups can be set 2. One group can include up to 16 preset points

* The specifications are subject to change without notice.