

AVT500

HD CCTV 1080P

Box Camera

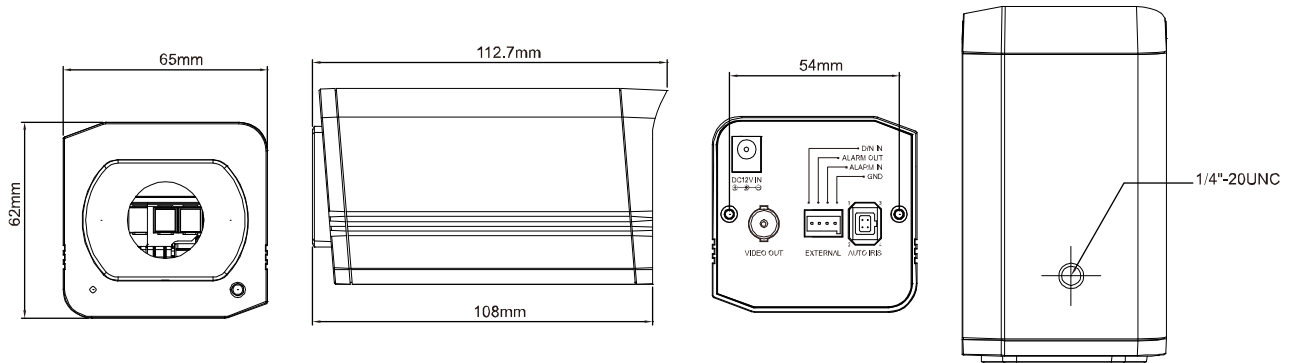


* Lens optional

● FEATURES

- (1) 1/2.8" CMOS Sensor with 1080P video output
- (2) External alarm I/O device connection
- (3) WDR to increase image recognizability in overexposure and dark areas
- (4) Camera parameters adjustable when used with AVTECH HD CCTV DVR

● DIMENSIONS*



*Dimensional Tolerance: ± 5mm

● SPECIFICATIONS*

MODEL	AVT500
Pick-up Element	1/2.8" SONY CMOS image sensor
Number of Pixels	1936(H) × 1096(V)
Video Frame Rate	1080P@30fps / 1080P@25fps
Min. Illumination	1 Lux / F1.5
S/N Ratio	More than 48dB (AGC OFF)
Shutter Speed	1/10,000 ~ 1/7.5 (Slow shutter)
Lens Mount	C/CS Mount (MBFL ≥ 5.8mm)
Lens Angle	73.2°(Horizontal) / 42.8°(Vertical) / 83.2°(Diagonal) (Base on f3.8mm fixed Lens)
IR Shift	YES
IRIS Mode	AES / DC Iris
White Balance	ATW
AGC	Auto
WDR	YES (120dB)
External alarm I/O	YES (1 input / 1 output)
Operating Temperature	0°C~40°C
Operating Humidity	90% or less relative humidity
Power Source (±10%)	DC12V / 1A
Net Weight (Kg)	0.4

* The specifications are subject to change without notice.